



## Pathfinder Instruments Model MK200

Conductivity Controller

### DATA SHEET



#### General Description

The Model MK-200 is a microprocessor programmable Conductivity controller that accepts a conductivity electrode as an input. Outputs are : (1) on-off or proportional control relay ( this control can be SSR drive or mechanical contacts);(2) a second optional control relay can be added for control above and below the set point or as an alarm ( 3) a 4-20 mA recorder signal proportional to the conductivity level. The power source is from 85 to 265 VAC, 50/ 60Hz free voltage there is no need to change connections for different voltages. The controller is programmable from the front panel via 8 switches, and calibration is done using two adjustment pots.( see programming instructions in the following pages). The front panel is NEMA 4X rated and mounting hardware is provided.

#### Specifications:

Input: .....CS-100, CS-1000, CS-5000(Range dependant)  
 Input Range: ..... 0 to 10uS, through 0 to20, 000uS  
 Temperature compensation.....0 to 50 deg C  
 Accuracy:.....+/- 2% of span  
 Control output: ..... (1) or optionally (2) 3A SPDT relays  
 Recorder output: .....4 to 20mA isolated  
 Front panel: .....NEMA-4X rated  
 Panel cutout: .....92 X 92 mm (1/4 DIN)

#### outline drawing

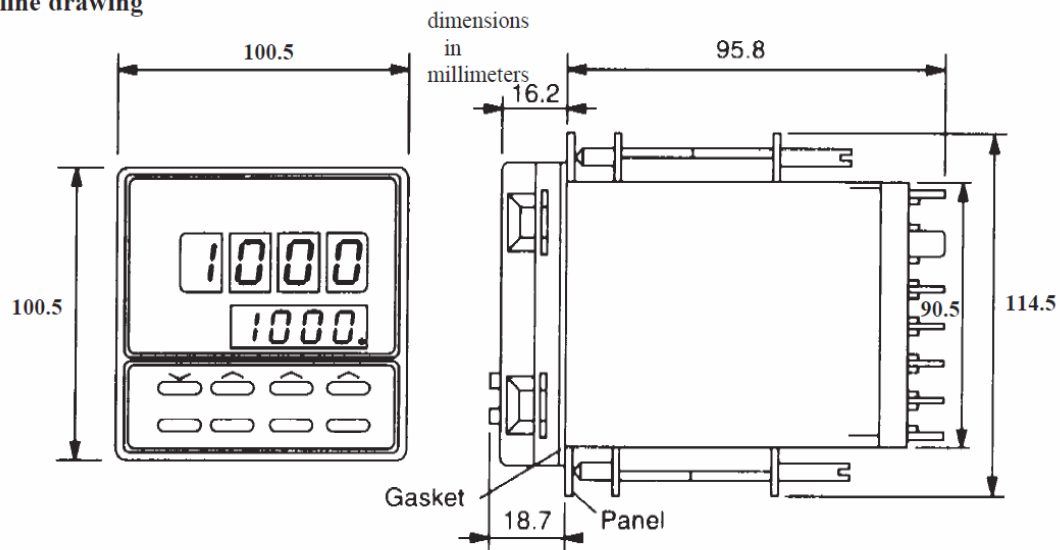


FIGURE 1